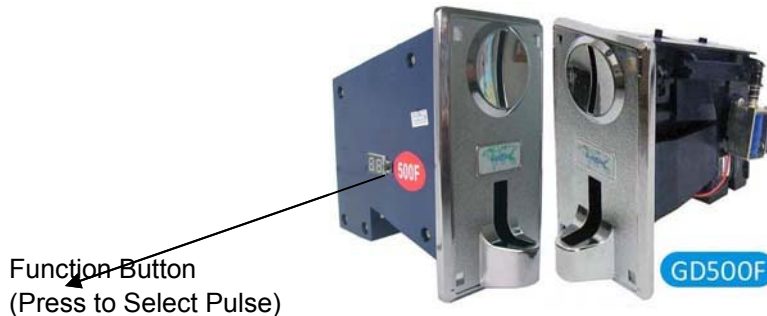


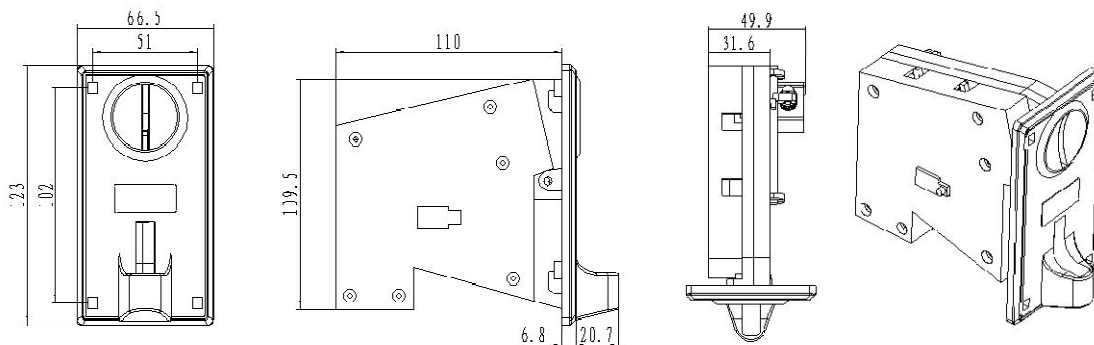
Product	GD500 Intelligent Multi Coin Validator
Specification	Input Voltage: DC+12V±20% Work Temperature: -15℃~+75℃ Output: Pulse
Coin acceptance	5 coin acceptance Coin diameter: φ17mm~33mm Coin thickness:
Box Package	50 pcs/box Size:435*350*270mm/box CMB: 0.072116m³/box G.W.:20kg/box
Single Package	Weight:0.4kg/pc Size:14*6.5*13cm/pc

Product View



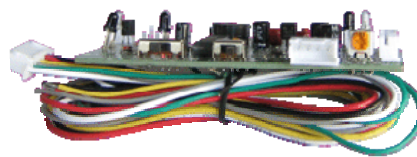
Operation

1st: clean all data: SET+NOM+F-button 3second
 2nd:program coins
SET +NOM =program coins. F-button to select output pulse signal. LED will show 00.01.02.03 to 99. drop coin to program.
START+NOM = operation.
 Other. N.C. → N.O. → Select N.O. or N.C. to fit different machine.



Cable Interface

- A: Gray line-Counter
- B: Balck line-GND
- C: Write line-Coin signal
- D: Red line-DC12V



History	1996 into market, 15 years long history model, Elite model
Application	Vending machine, gaming machine, jukebox, coinbox, cyber café, arcade crane, etc.
Standard	European standard
OEM	Accepted
Brand	GONGDU