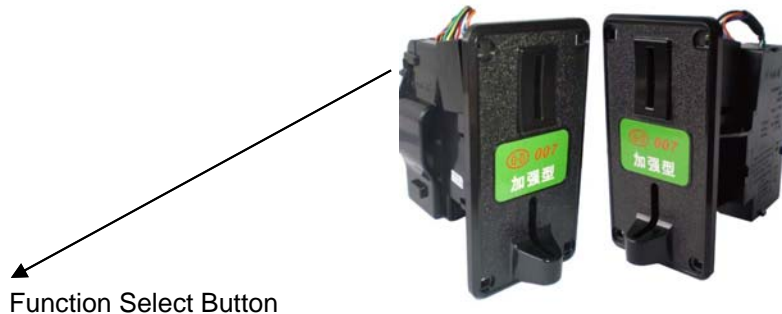


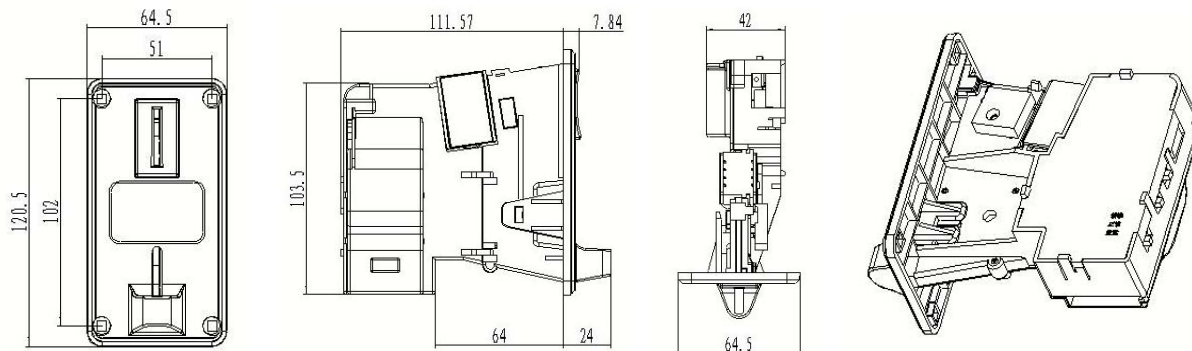
<b>Product</b>	GD007A Intelligent Coin Validator
<b>Specification</b>	Input Voltage: DC+12V±20% Work Temperature: -15℃~+75℃ Output: Pulse
<b>Coin acceptance</b>	1 coin acceptance: 10.8mm -31mm in Coin diameter :1.2mm-3.0mm in thickness
<b>Box Package</b>	50PCS/BOX G.W.12.5KG N.W. 12KG SIZE. 73*37*30CM
<b>Single Package</b>	0.25KG/PC-WEIGHT 15.5*13*7CM/PC

**Product View**



**Operation**

- 1.Press the function selector button when light on, insert and drop the coin that need to accepted 30 times to program the coin. When light off,it is ok.
- 2.Sensitive switch :Strict,Norma,Slack. Norma is default setting. If coin reject, Slack could be selected
- 3.Coin signal time for different machine.Fast: 20ms/short pulse signal Medium: 40ms/medium pulse signal Slow: 60ms/long pulse signal



**Cable Interface**

1. Gray line— Counter
2. Black line— GND
3. White line—Coin signal
4. Red line— DC+12V



<b>History</b>	1996 into market,15 years long history model,Elite model
<b>Application</b>	Vending machine,gaming machine,jukebox,coinbox,cyber café,arcade crane,etc.
<b>Standard</b>	European standard
<b>OEM</b>	Accepted
<b>Brand</b>	GONGDU